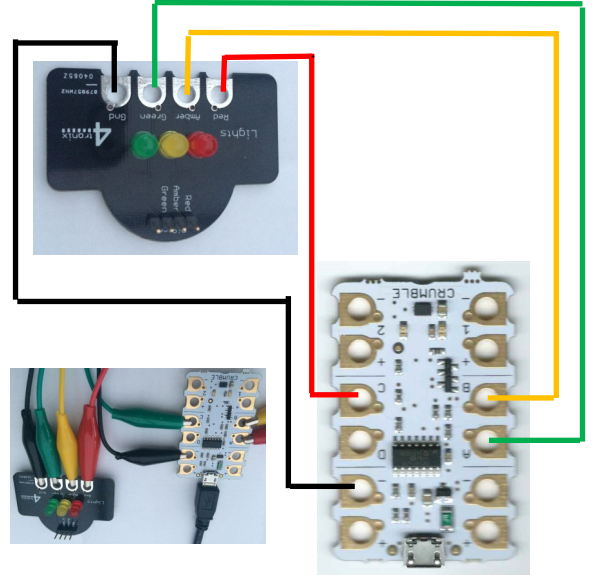


The advantage of this module is that you only need one wire to the negative power instead of three



Wiring

Crumble Maker Cards Traffic Lights



Useful Code Blocks

Click the letters to change them to A, B, C or D

set A HI

set A LO

LO is the same as off

HI is the same as on

program start

do 10 times

do forever

loop

wait 1 seconds

How long do you want your lights to stay on or off?

output red green and amber are connected to

depending on which input/output red green and amber are connected to

to stay on or off?

Loops can be very useful if you want to repeat code

Hints

You can also attach the wires to the pins instead of using the circle attachments.



This work is licensed under the Creative Commons Attribution-NonCommercial 3.0 Unported License. To view a copy of this license, visit <http://creativecommons.org/licenses/by-nc/3.0/> or send a letter to Creative Commons, 444 Castro Street, Suite 900, Mountain View, California, 94041, USA.