

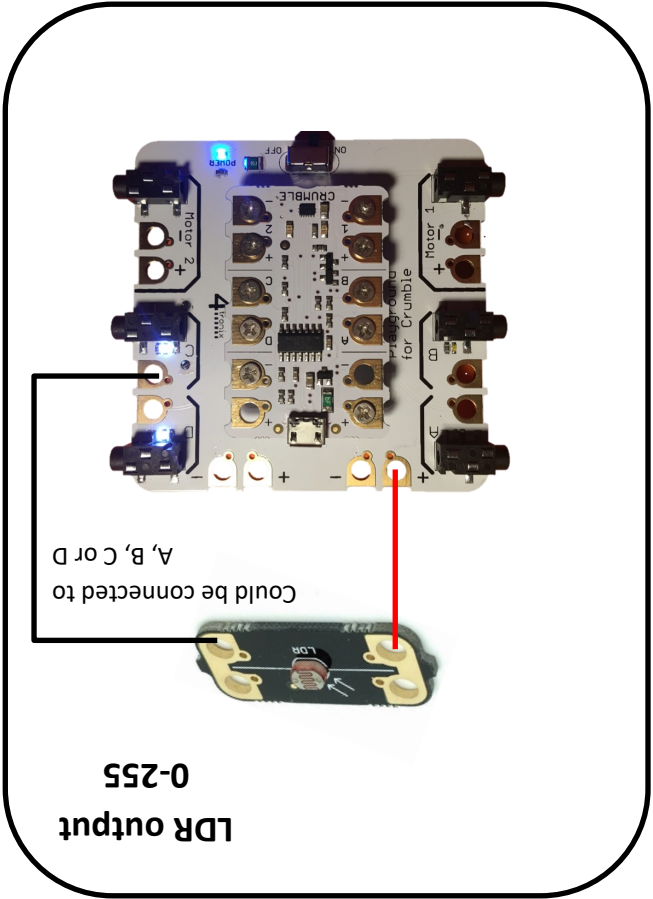
Number Crumb

```

program start
do forever
  let lux = analogue A ÷ 3
  motor 2 FORWARD at lux %
  wait 1 seconds
loop

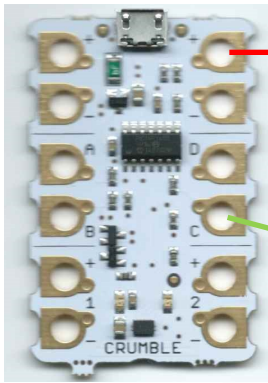
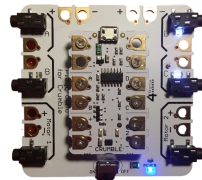
```

If the light dependant resistor (LDR) was attached to A and a Number counter crumb was attached to A was placed in a variable it could be outputted as a number on the number crumb.



LDR output 0-255

# Classic Crumble Maker Cards Light Dependant Resistor



Hints

### Light Dependant Resistor

The more light picked up by the light dependant resistor the less it resists the current flow making the LED brighter. The less light it senses the more it resists the flow of electricity making the LED duller.



LED