

Useful Code Blocks

Click here to change the colour

set sparkle 0 to [red square]

The first sparkle is called 0
the second is called 1, 2, 3
and so on

turn sparkle 0 off

Set the colour using red green
and blue 0 to 255

set all sparkles to [pink square]

set sparkle 0 to 255 255 0

You can use a variable in
place of the number

wait 1 seconds

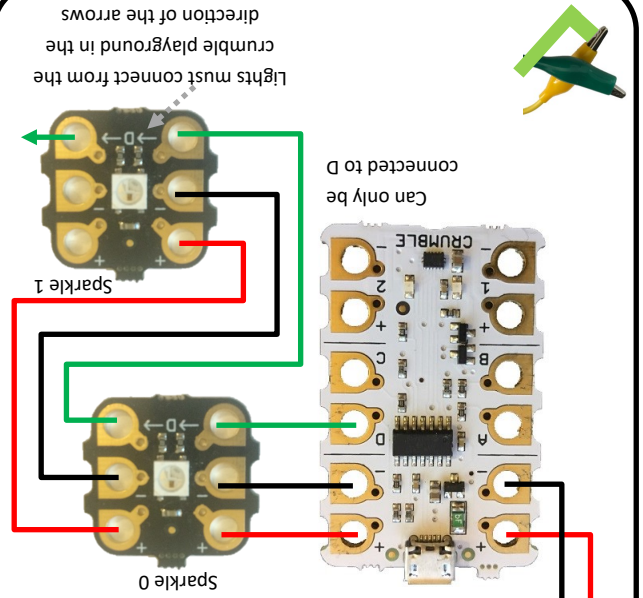
Waits determine how
long your sparkle light
stays on or off for

To Computer USB

Wiring

Lights can be
daisy chained
together

Batteries
must be
switched on



More Information

Lights are outputs. Programmable lights can be very bright. You can reduce this by covering the light with a translucent cover such a piece of white paper.

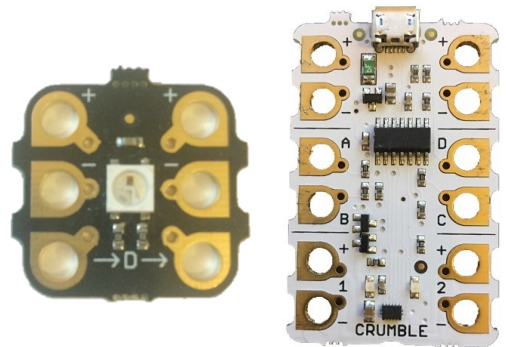
Up to 36 programmable lights can be daisy chained together.

Redfern Electronics who make this programmable light call it a sparkle.

You can program multiple lights on one device with these.



Crumble Programmable Lights



MC49

