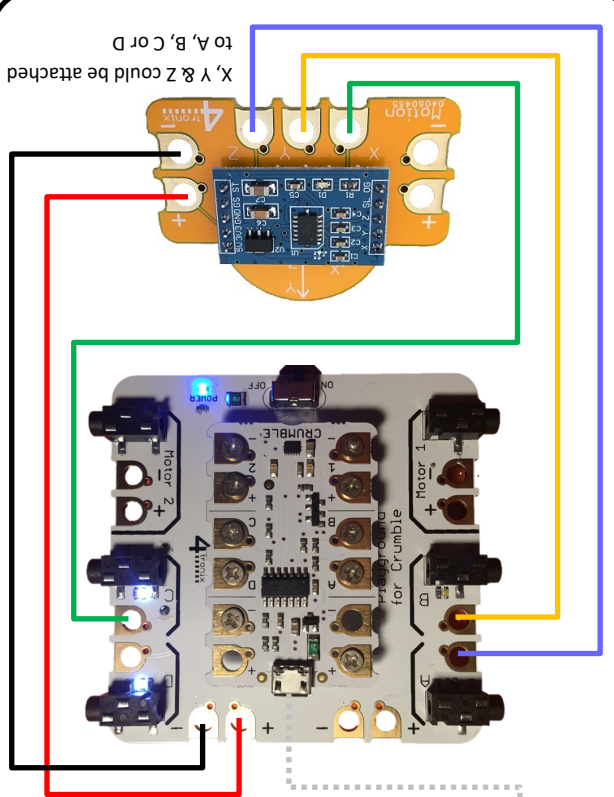





These pictures show the tilt sensor attached to Y. They change as you tilt it if it is working. To test the tilt sensor. Attach one axis to A and transfer the information into a variable as shown. Now tilt the sensor and watch the readings on the variables page, if they change as you tilt it is working.

Useful Code Blocks



Wiring

X, Y & Z could be attached to A, B, C or D

To Computer USB

More Information

wait until **tilt < 45**

Wait until tilt axis Y is less than 45

If you wish these to update continuously wrap them in a forever loop

if **analogue A > 90** **then**

end if

If tilt axis Y is greater than 90 do something

if **tilt < 70** **then** If tilt axis Y is less than 70 do something

else If tilt axis Y is greater than 70 do something

end if else

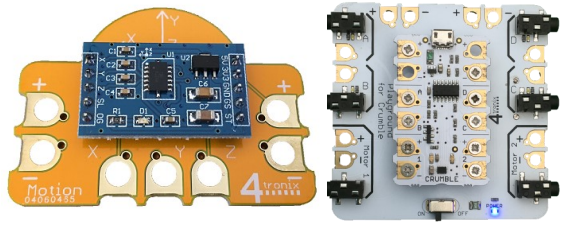

NOTE You don't need to attach or use every axis

do until **analogue A > 80**

loop

Do something until tilt axis Y is greater than 80

Crumble Playground Tilt Sensor

MC31

