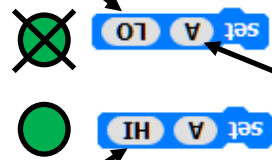


```

program start
do 4 times
  set A HI
  wait 1.0 seconds
  set A LO
  wait 1.0 seconds
loop
The light is turned on
and off four times.
  
```

Click the letters to change them to A, B, C or D. HI is the same as on. LO is the same as off.



### Useful Code Blocks

## More Information

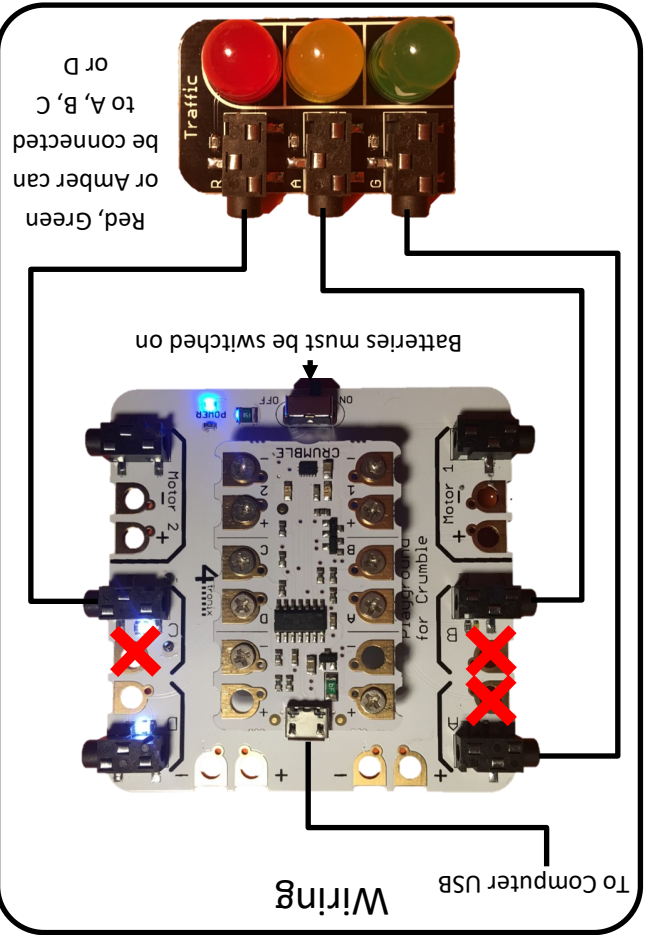
LED Traffic lights can be used to program traffic lights or a single LED light on the traffic light can be used to indicate something else.

A green LED could be switched on when the light from an LDR goes above a set number.

Or

A red LED could be turned on when a PIR detects motion.

You don't have to wire every light to use just one.



# Crumble Playground Traffic Light



code-it.co.uk

MC04