

## Useful Code Blocks

Click here to change the colour

set sparkle 0 to 0

The first sparkle is called 0  
the second is called 1, 2, 3  
and so on

turn sparkle 0 off

Set the colour using red green  
and blue 0 to 255

set all sparkles to 0

set sparkle 0 to 255 0 0

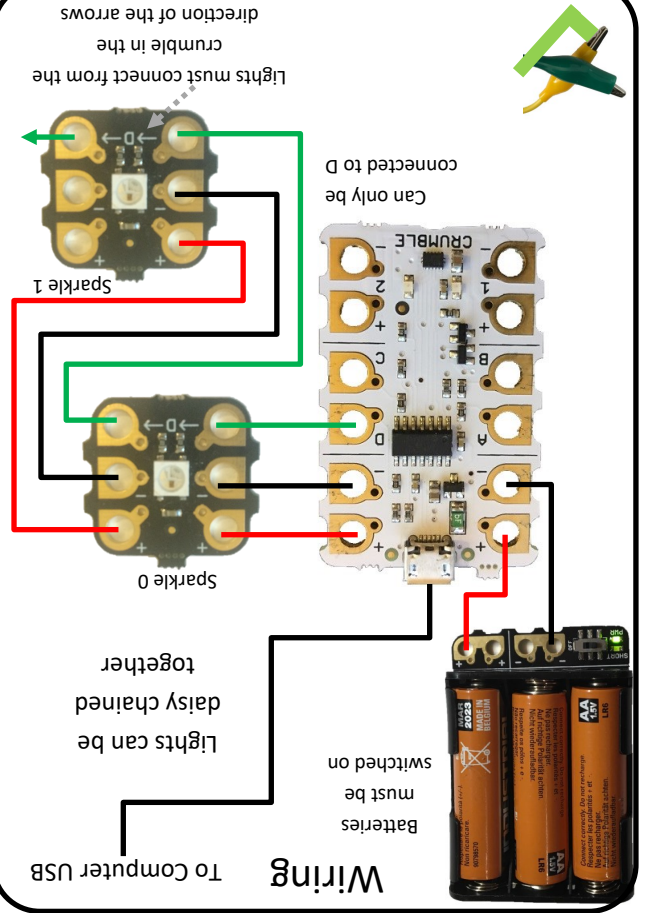
You can use a variable in  
place of the number

wait 1 seconds

Waits determine how  
long your sparkle light  
stays on or off for

## Wiring

To Computer USB  
Batteries  
must be  
switched on  
Lights can be  
daisy chained  
together



## More Information

Lights are outputs. Programmable lights can be very bright. You can reduce this by covering the light with a translucent cover such a piece of white paper.

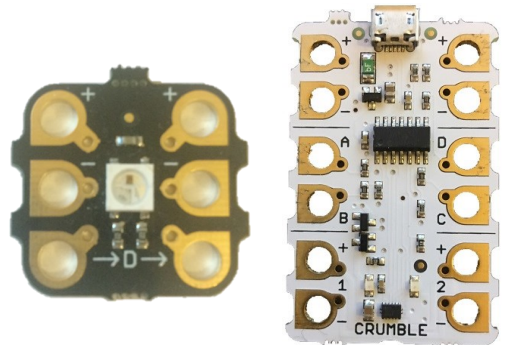
Up to 32 programmable lights can be daisy chained together.

Redfern Electronics who make this programmable light call it a sparkle.

You can program multiple lights on one device with these.



# Crumble Programmable Lights



MC49rb